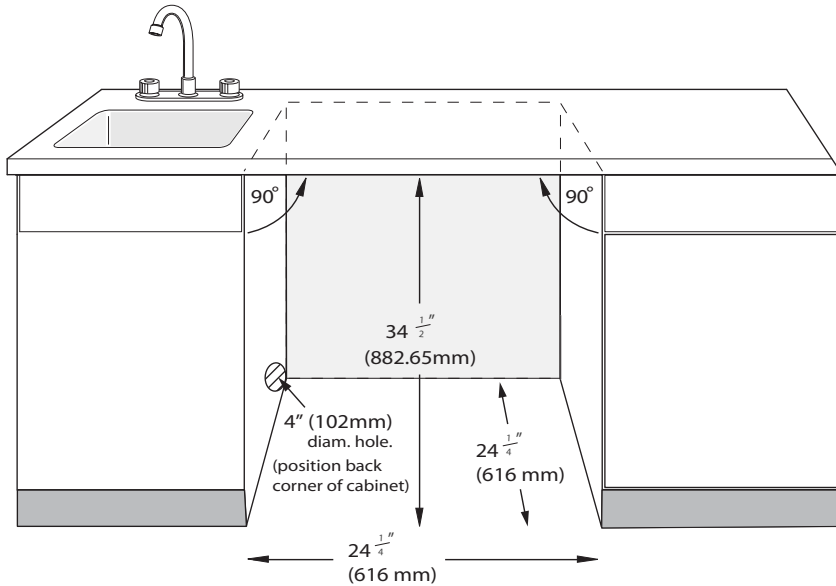


# UC-R Installation Guide

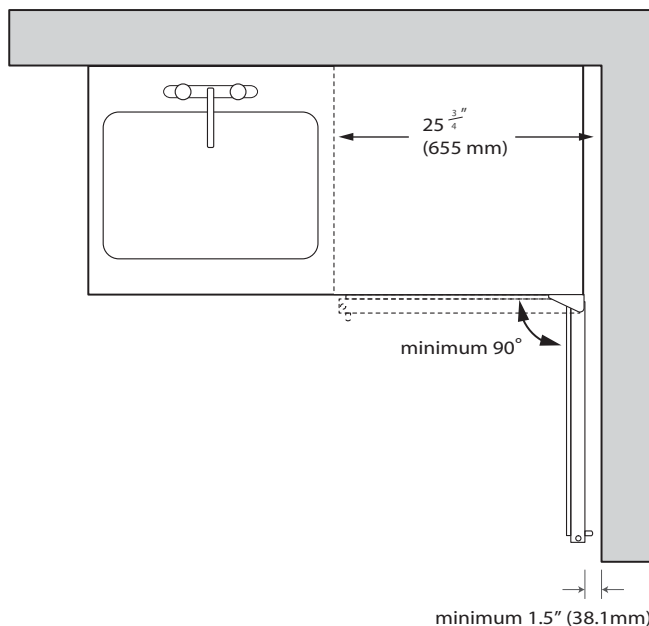
## Enclosure specification



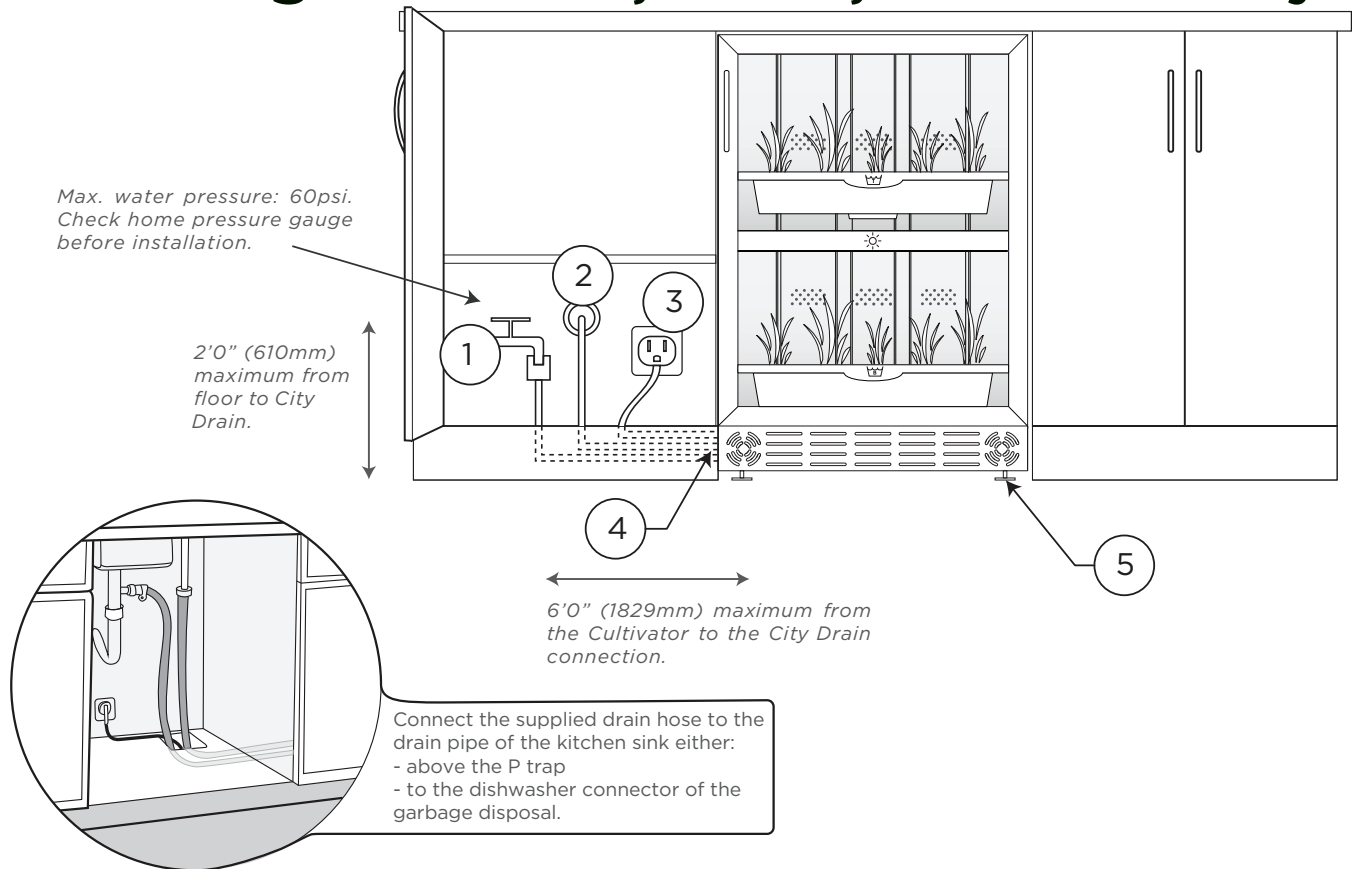
Cabinet Cut-Out Dimensions		
Height 34 $\frac{1}{2}$ "	Width 24 $\frac{1}{4}$ "	Depth 24 $\frac{1}{4}$ "
Product Dimensions Without Counter Top Or Wheels		
Height 34 $\frac{1}{4}$ "	Width 24"	Depth 24"

Allow an extra 1.5" (38mm) of clearance space if you are installing your Cultivator into a corner enclosure.

The additional space is clearance for the Cultivator's door handle. The door must be able to open a minimum of 90 degrees to the cabinet so that the grow drawers may slide in and out.



# Connecting the Power, Water, and Electricity



## Numbered Items

### 1. City Water In Connection (Min 30psi required)

Use braided City Hose to connect to your city water connection. The hose comes with a standard  $\frac{3}{8}$ " compression fitting.

### 2. City Drain Out Connection

Connect the City Drain Hose (1/2" to 3/4" hose connection) to your city drain which should be no further than 6' from the Cultivator and 2' up from the floor.

### 3. Power Connection

Connect the Cultivator to a standard 110/240V power outlet. The electricity plug should be no further than 2' away from the unit and should run out on the same side as the water and drain hose. The wall receptacle is non-replaceable.

### 4. Hole Size For All Connections

Use a 4" hole saw and remove part of the bottom shelf of the cabinet adjacent to the Cultivator where all the connections run from.

### 5. Adjustable Feet

Twist the Cultivators feet to adjust its overall height from 34 $\frac{1}{4}$ " to 34 $\frac{1}{2}$ " **Ensure product is level.**



Leave 1 $\frac{1}{2}$ " clearance gap for the door swing and handle when installing the Urban Cultivator Residential adjacent to a wall.



Water In, City Drain Out & Electricity connections run out from one side only, the left. Please contact Urban Cultivator using [support@urbancultivator.net](mailto:support@urbancultivator.net) or call us toll-free: +1 877 352 0490 available Monday-Friday. 8:00-16:00 PST.

DISCLAIMER: Please make sure that the length of the drain line does not exceed 6ft. In the event that a pump is used, make sure it has capacity exceeding 80GPH. Urban Cultivator will not be responsible for any losses arising from usage or failure of any additional devices connected to the unit for facilitation of plumbing or drainage. Please refer to applicable local codes for electrical and plumbing installation.

# External dimensions

